

# TWO SIDE RECESSED GRINDING WHEEL

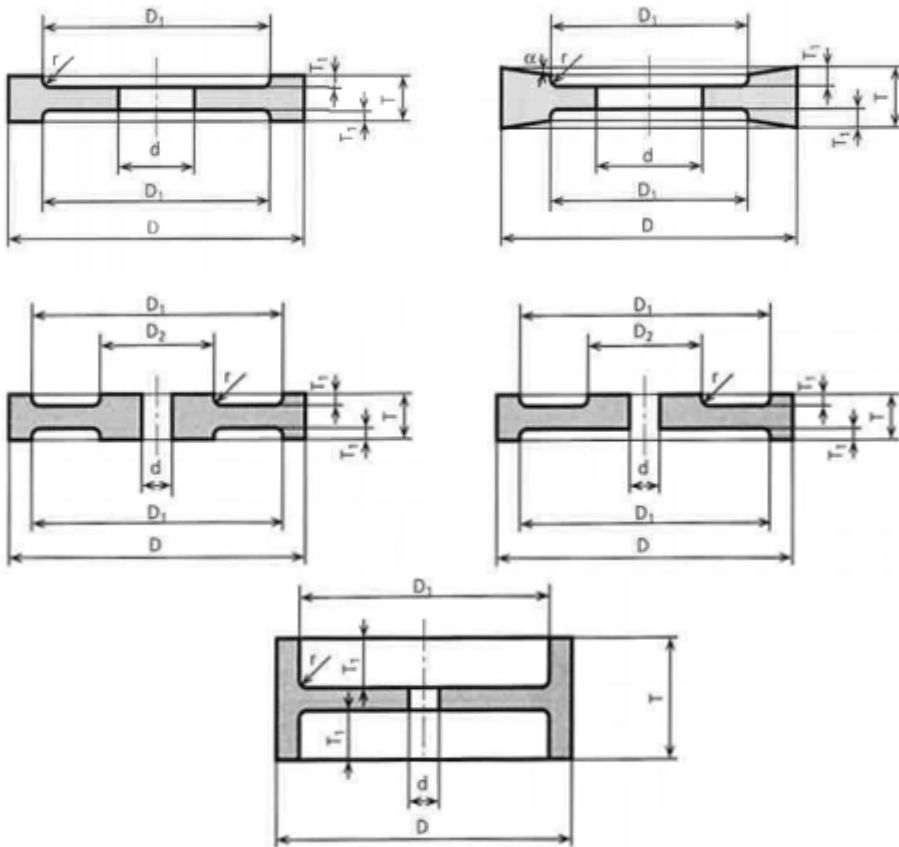
## Main features:

- Straight grinding wheel recessed on two side
- Sizes ranging 100 to 900 millimetres in diameter
- Available with vitrified and resin bonds
- Manufactured from hundreds of different grains
- Maximum speed of 30-40 m/s



## Possible forms:

MSZ 4518



**W**IDENTA

MP Widenta Limited  
Liability Company  
Member of MPF Industry Group

## Standard grains:

Name	Material
1A	Aluminium oxide
6A	White aluminium oxide
7A	Pink aluminium oxide
8A	Red aluminium oxide
1C	Black silicon carbide
2C	Green silicon carbide
16A	Mix of 1A and 6A
12C	Mix of 1C and 2C

\*Other grains can be used at custom orders