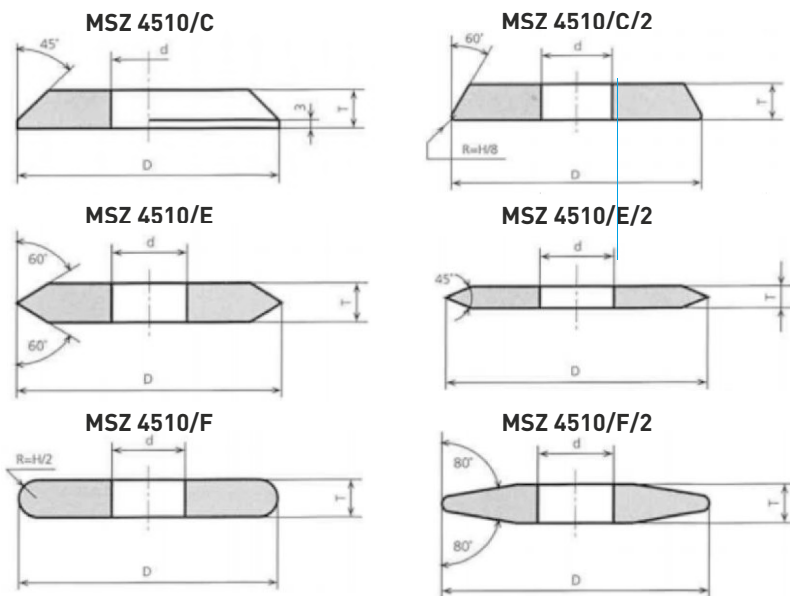


PROFILE GRINDING WHEEL

Main features:

- Profiled straight grinding wheels
- Sizes ranging 4 to 900 millimetres in diameter
- Available with vitrified, resin and rubber bond
- Manufactured from hundreds of different grains
- Maximum speed of 35-100 m/s

Possible forms:



Standard grains:

Name	Material
1A	Aluminium oxide
6A	White aluminium oxide
7A	Pink aluminium oxide
8A	Red aluminium oxide
1C	Black silicon carbide
2C	Green silicon carbide
16A	Mix of 1A and 6A
12C	Mix of 1C and 2C

*Other grains can be used at custom orders



WIDENTA

MP Widenta Limited
Liability Company
Member of MPF Industry Group